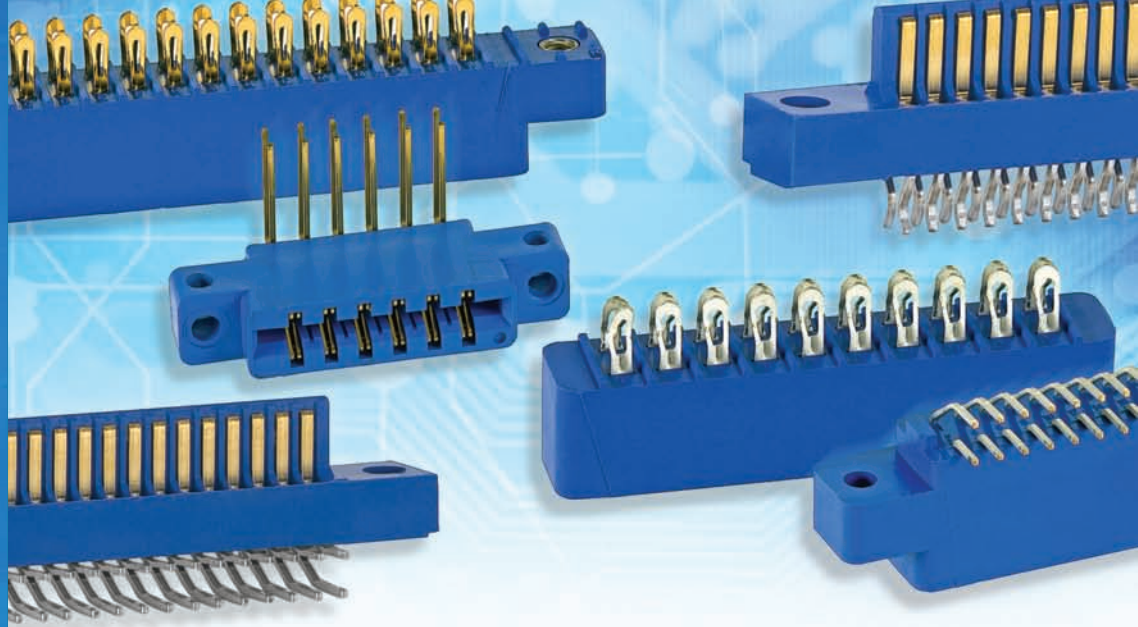


Applications for Sullins Connectors:

- Aircraft Electronic Controls and Radio Communications
- Computing Equipment and Peripherals
- Consumer Electronics and Household Appliances
- Office Equipment
- Automotive Electronics and Accessories
- Casino Gaming Devices
- Medical Devices
- Industry Machinery and Process Control Equipment
- Telecommunication
- Vending Machines
- Burn-in Ovens and Test Equipment
- And more...

The Sullins Advantage

- Five-day Lead Time*
- Free Samples – Fast!
- High Quality and Reliable Connectors
- Engineering Design and Technical Support
- Connector Experts at Your Service Assist with Specific Project Requirements
- Design and Build Custom Parts to Suit Your Needs
- RoHS Compliance



Card Edge Connectors

Features and Benefits:

- Available in temperatures up to 250°C for demanding thermal applications
- Available in a large variety of male and female connector types for all kinds of applications
- Comes in 1mm, 0.050", 0.100", 0.125", 0.150" and 0.156" contact centers
- Available in insulator height of 0.431", 0.550", 0.610" and 0.720"
- Comes in various plating options, including full gold, selective gold, and pure tin
- Choices of pin style, including dip solder, eyelet, press-fit, and wire-wrap are available
- Large selection of termination types and mounting styles are available for various applications
- Features high mating cycle for all our connectors for long-lasting usage



www.sullinscorp.com

USA HQ | 801 E Mission Rd, San Marcos, CA 92069, USA | +1-760-744-0125 | fax +1-760-744-6081
Taiwan | 8F-1, No 268, Fuxing S Rd, Sec 2, Taipei, Taiwan | +886-2-2738-7377 | fax +886-2-2738-3586

* More customized specifications may require additional time to complete.

©2009 Sullins Connector Solutions

Order Samples and Products:

www.sullinscorp.com
info@sullinscorp.com
760.744.0125
888.774.3100 toll-free

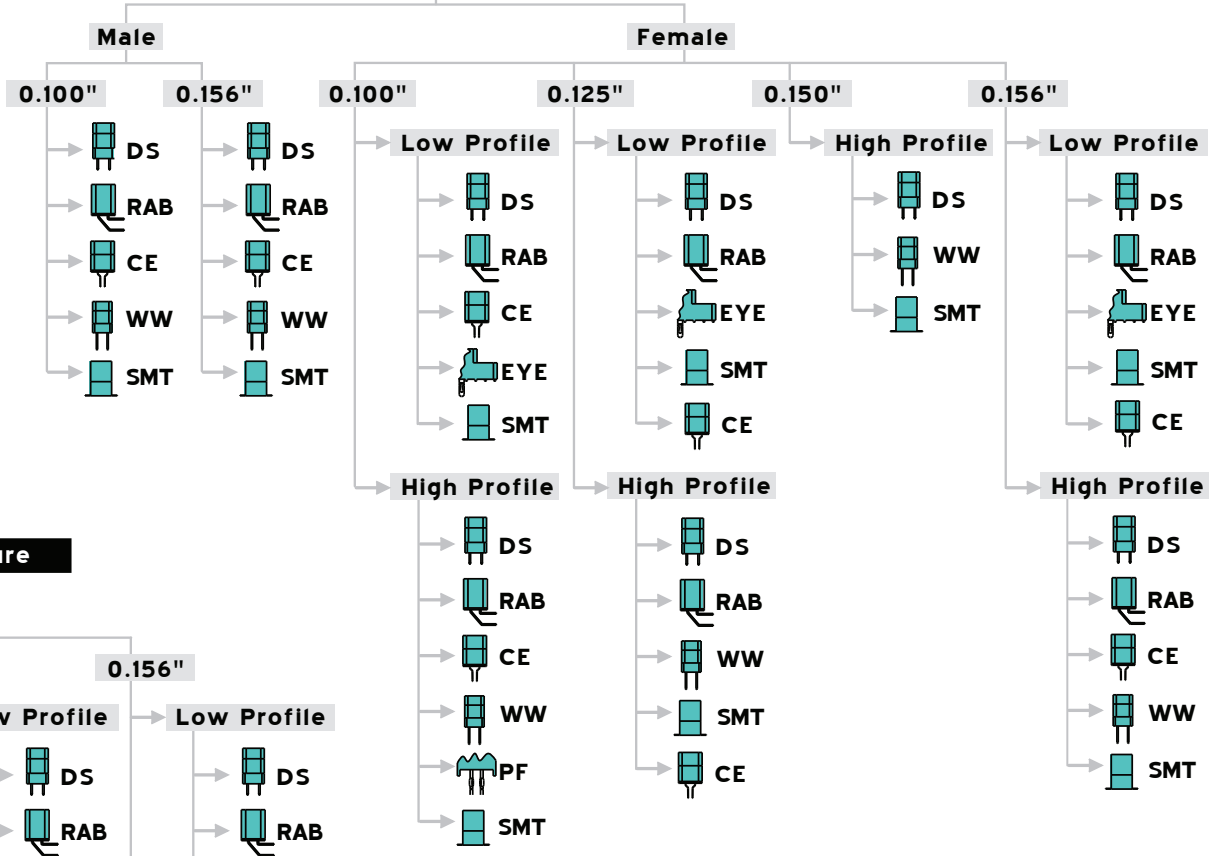


Product Configuration Chart



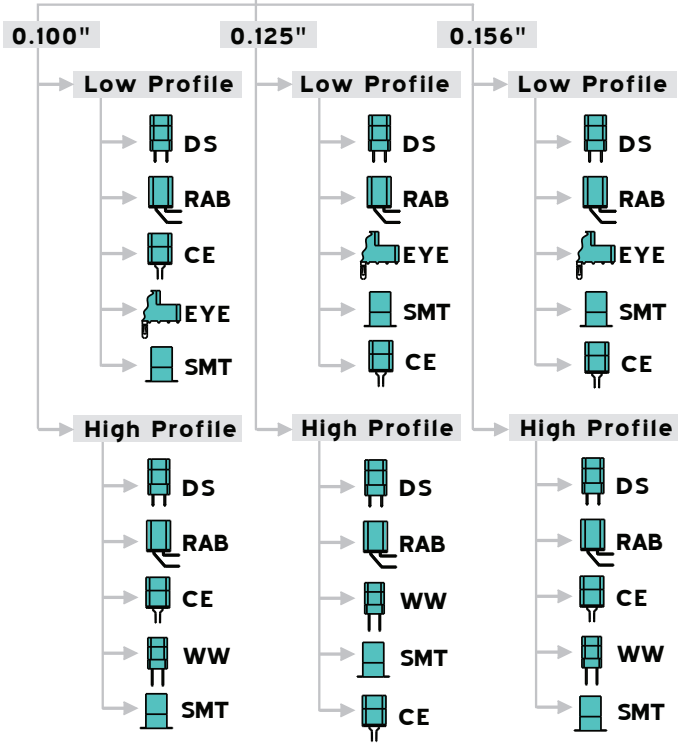
Card Edge Connectors

Standard Temperature



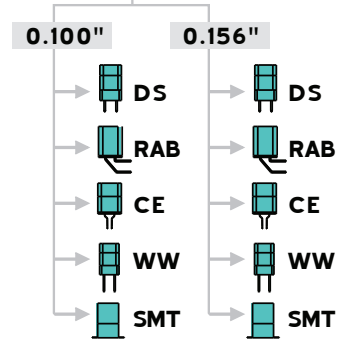
High Temperature

Female



High Temperature

Male



- Card Extender
- Dip Solder
- Eyelet
- Press Fit
- Right Angle Bend
- Surface Mount
- Wire Wrap
- Low Profile
0.431\"/>
- High Profile
over 0.431\"/>